

DeLONG®

www.delongsports.com



Set-In Sleeves



Sleeve	Size	Lining	Style
Leather	Adult	Nylon	111A
	Adult	Quilt	211A
	Youth	Nylon	121A
	Youth	Quilt	221A
Wool	Adult	Nylon	116A
	Adult	Quilt	216A
	Youth	Nylon	126A
	Youth	Quilt	226A
Vinyl	Adult	Nylon	114A
	Adult	Quilt	214A
	Youth	Nylon	124A
	Youth	Quilt	224A

Jacket Features

- Heavyweight Melton Wool (80% wool/20% nylon)
- Set-in Sleeves
- Quilt or Nylon Lining
- Leather, Vinyl, or Wool Sleeves
- Zip down lining standard, optional closed lining available
- Refer to price list for options
- Sizes: Adult XS-6XL
Youth XS-XL

Raglan Sleeves

Sleeve	Size	Lining	Style
Leather	Adult	Nylon	141A
	Adult	Quilt	241A
	Youth	Nylon	151A
	Youth	Quilt	251A
Wool	Adult	Nylon	146A
	Adult	Quilt	246A
	Youth	Nylon	156A
	Youth	Quilt	256A
Vinyl	Adult	Nylon	144A
	Adult	Quilt	244A
	Youth	Nylon	154A
	Youth	Quilt	254A



Jacket Features

- Heavyweight Melton Wool (80% wool/20% nylon)
- Raglan Sleeves
- Quilt or Nylon Lining
- Leather, Vinyl, or Wool Sleeves
- Zip down lining standard, optional closed lining available
- Refer to price list for options
- Sizes: Adult XS-6XL
Youth XS-XL

Award Jackets

www.delongsports.com

Shoulder Insert

Two piece leather with opt. cording

Sleeve	Size	Lining	Style
Wool	Adult	Nylon	173A
	Adult	Quilt	273A
Leather	Adult	Nylon	172A
	Adult	Quilt	272A

One piece insert

Sleeve	Size	Lining	Style
Wool	Adult	Nylon	175A
	Adult	Quilt	275A
Leather	Adult	Nylon	174A
	Adult	Quilt	274A
Vinyl	Adult	Nylon	180A
	Adult	Quilt	280A

Leather with contrasting overlay

Sleeve	Size	Lining	Style
Wool	Adult	Nylon	179A
	Adult	Quilt	279A
Leather	Adult	Nylon	178A
	Adult	Quilt	278A

Knit with cording (not pictured)

Sleeve	Size	Lining	Style
Leather	Adult	Nylon	176A
	Adult	Quilt	276A

Three piece leather (not pictured)

Sleeve	Size	Lining	Style
Wool	Adult	Nylon	170A
	Adult	Quilt	270A
Leather	Adult	Nylon	177A
	Adult	Quilt	277A



Full 360 Shoulder Insert



Full 360 One piece leather

Sleeve	Size	Lining	Style
Leather	Adult	Nylon	376A
	Adult	Quilt	476A

Full 360 Three piece leather (not pictured)

Sleeve	Size	Lining	Style
Leather	Adult	Nylon	377A
	Adult	Quilt	477A

Full 360 Two piece Leather

Sleeve	Size	Lining	Style
Leather	Adult	Nylon	378A
	Adult	Quilt	478A

Jacket Features

- Heavyweight Melton Wool (80% wool/20% nylon)
- Set-in Sleeves
- Quilt or Nylon Lining
- Zip down lining standard, optional closed lining available
- Refer to price list for options
- Sizes: Adult XS-6XL Youth XS-XL

Set-in Sleeve

Sleeve	Size	Lining	Style
Leather	Adult	Nylon	118A
	Adult	Quilt	218A
Wool	Adult	Nylon	117A
	Adult	Quilt	217A
Vinyl	Adult	Nylon	112A
	Adult	Quilt	212A

Raglan Sleeve

Sleeve	Size	Lining	Style
Leather	Adult	Nylon	148A
	Adult	Quilt	248A
Wool	Adult	Nylon	147A
	Adult	Quilt	247A
Vinyl	Adult	Nylon	142A
	Adult	Quilt	242A



Finger Tip

Set-in Sleeve

Sleeve	Size	Lining	Style
Wool	Adult	Nylon	113A
	Adult	Quilt	213A

Raglan Sleeve

Sleeve	Size	Lining	Style
Wool	Adult	Nylon	143A
	Adult	Quilt	243A



Contrasting Wool

Jacket Features

- Heavyweight Melton Wool (80% wool/20% nylon)
- Set-in or Raglan Sleeves
- Quilt or Nylon Lining
- Zip down lining standard, optional-closed lining available
- Refer to price list for options
- Sizes: Adult XS-6XL
Youth XS-XL

Award Jackets

www.delongsports.com

Three Color Sleeve

Three Color Set-In Sleeve

Sleeve	Size	Lining	Style
Leather	Adult	Nylon	167A
	Adult	Quilt	267A
Vinyl	Adult	Nylon	168A
	Adult	Quilt	268A

Jacket Features

- Heavyweight Melton Wool (80% wool/20% nylon)
- Set-in Sleeves
- Leather or Vinyl 3-color Sleeves
- Zip down lining standard, optional closed lining available
- Refer to price list for options
- Sizes: Adult XS-6XL



Petite Women's Cut



Sleeve	Size	Lining	Style
Leather	Adult	Nylon	111W
	Adult	Quilt	211W
Wool	Adult	Nylon	116W
	Adult	Quilt	216W
Vinyl	Adult	Nylon	114W
	Adult	Quilt	214W

Jacket Features

- Heavyweight Melton Wool (80% wool/20% nylon)
- Set-in Sleeves
- Leather, Vinyl, or Wool Sleeves
- Zip down lining standard on adult sizes, optional closed lining available
- Refer to price list for options
- Sizes: Adult XS-XL

Slim, fitted cut designed specifically for petite women.
Set-in sleeves only. Form fitting.

Reversible

All Leather

Leather Side Panel

Set-in Sleeve

Sleeve	Size	Lining	Style
Leather	Adult	Nylon	111R
Wool	Adult	Nylon	116R
Vinyl	Adult	Nylon	114R

Raglan Sleeve (not pictured)

Sleeve	Size	Lining	Style
Leather	Adult	Nylon	141R
Wool	Adult	Nylon	146R
Vinyl	Adult	Nylon	144R

Jacket Features

- Heavyweight Melton Wool (80% wool/20% nylon)
- Reversible Wool Jacket
- Reversing to Nylon Jacket
- Choose snap color for each side
- Knit cuffs and waist
- Choose collar style and knit trim pattern
- Sizes: Adult XS-6XL



Genuine Leather Fingertip (not pictured)

Sleeve	Size	Lining	Style
Leather	Adult	Nylon	184A
	Adult	Quilt	284A

Genuine Leather Waist Style

Sleeve	Back	Size	Lining
Set-In	3 pc	Adult	Nylon 194A
	3 pc	Adult	Quilt 294A
Set-In	1 pc	Adult	Nylon 198A
	1 pc	Adult	Quilt 298A
Raglan	1 pc	Adult	Nylon 195A
	1 pc	Adult	Quilt 295A

Jacket Features

- Genuine Leathers
- Quilt or Nylon Lining
- Standard snap closure (zipper optional)
- Knit cuffs and waist
- Optional leather cuffs
- Optional leather arm bands (Two 1" stripes around bicep)
- Optional inside welt pockets
- Optional premium leather
- Sizes: Adult XS-6XL



Leather Side Panel

Sleeve	Size	Lining	Style
Leather	Adult	Nylon	197A
	Adult	Quilt	297A

Jacket Features

- Heavyweight Melton Wool (80% wool/20% nylon)
- Set-In Leather Sleeves
- Quilt or Nylon Lining
- Choose collar style and knit trim pattern
- Standard snap closure (zipper optional)
- Knit cuffs and waist
- Optional leather waistband insert
- Optional leather cuffs
- Optional inside welt pockets
- Sizes: Adult XS-6XL



Blankets



Blanket Features

- Heavyweight Melton Wool (80% wool/20% nylon)
- Matching or contrasting binding
- Style 47260"x 72"
- Style 47860"x 78"

Zip Down Lining

Step 1



Step 2



Zip Down Lining

DeLong jackets now come standard with zip-down lining. This gives you the opportunity to add decoration to any jacket whether it's the first time the jacket is being decorated or whether your customer has brought it back for additional sew-ons or decoration.

Step 3



Final



Step 1

Unzip the lining

Step 2

Reach between the lining and the jacket to the bottom of each sleeve and grab the lining and pull it through so the lining (sleeve) is completely inside out. The lining drops down giving you access to the whole jacket.

Step 3

Apply your decoration and turn the jacket right-side out and zip lining.



*Style #1 Sailor Collar



*Style #2 Zip Divided Hood
*Style #2B Zip Divided Hood
without snaps



*Style #3 Zip Sailor Collar

*White-56 and Gold-53 hood and sailor collars are standard using fleece fabric. White wool-W6 and Gold wool-W3 are optional at no charge



Style #G "Whiting Style"
Single ply rib knit trim with
rolled cuffs



Style #7 Knit Stand-up Collar,
no charge



Style #8 Byron Knit Collar



Stand-up Collar
Style #11 Leather
Style #12 Wool



Style #4 Matching Self-Material
Collar or Contrasting Byron Collar



Cuff - Leather, Vinyl, Wool



Waistband Insert
Style #GL Genuine Leather

Style #5 Leather Byron Collar

Style #15 Byron Collar, Wool Upside/Top,
Leather Underside/Down

Style #16 Byron Collar, Leather Upside/
Top, Wool Underside/Down will match
body color

Style #19 Leather Byron Banded

Style #20 Byron Banded, Leather Upside/
Top, Wool Underside/Down will match
body color

Style #21 Wool Byron Banded

Style #LT Wool/Leather Tipped

Style #H 3 piece Hood

Style #L Byron Leather

Colors and Knits

COLOR CHART					
	Genuine Leather	Vinyl	Nude Leather	Wool	Knits
Academy Blue 42	X			X	X
Black 51	X	X		X	X
Black 5N			X		
Bone TP	X				
Brown 44	X			X	X
Buck Tan (Old Gold) 14	X	X			
Burnt Orange 03	X				
Cardinal 79	X			X	X
Celtic Green CG	X				
Columbia Blue 52	X	X		X	X
Cranberry 89				X	X
Cream 05	X	X			
Dark Green AC				X	X
Dark Kelly 36				X	X
Dark Royal 73				X	X
Dark Red DR				X	X
Dolphin Blue 07				X	X
Forest Green 67	X	X		X	X
Gold 53	X	X		X	X
Grey 58	X	X		X	X
Hi Royal HR	X				
Kelly 57	X	X		X	X
Light Cardinal 39				X	X
Light Cream 20	X				X
Light Forest R7				X	X
Light Grey LG	X			X	X
Light Navy 6N				X	X
Light Maroon R8				X	X
Light Old Gold 63				X	X
Light Scarlet 49				X	X
Light Silver 61	X				
Mariner MB				X	X
Maroon 59	X	X		X	X
Military Navy 46				X	X
Natural 55	X	X			X
Navy 62	X	X			
New Gold 4J	X	X			
N.W. Purple 37				X	X
Ocean Blue 45	X			X	X
Optic White OP	X				
Orange 54	X	X		X	X
Palomino 04	X				
Purple 66	X	X		X	X
7000 Purple 26				X	X
Royal Blue 72	X	X		X	X
Royal B4 90				X	X
Royal 27 32				X	X
Scarlet 69	X	X		X	X
Teal Blue 27	X			X	X
Tennessee Orange 48				X	X
Texas Orange 64				X	X
Vanilla VA	X				
Vegas Gold 43	X			X	X
White 56	X	X		X	X

Colors are a standard representation and are not an exact match. They will vary from fabric to fabric. Please call if you need color swatches

Adult Jacket Sizes

XS	S	M	L	XL	2XL	3XL	4XL	5XL	6XL
30-32	34-36	38-40	42-44	46-48	50-52	54-56	58-60	62-66	66-70

3X - \$20.00 extra 4X - \$40.00 extra 5X - \$60.00 extra 6X - \$80.00 extra

Shorts are 2" shorter in body and/or sleeve N/C

X-Shorts are 4" shorter in body and/or sleeve..... N/C

Longs are 2" longer in body and/or sleeve\$12.00 each

X-Longs are 4" longer in body and/or sleeve.....\$24.00 each

Youth Jacket Sizes

XS	S	M	L	XL
4	6-8	10-12	14-16	18-20

Shorts are 2" shorter in body and/or sleeve N/C

Longs are 2" longer in body and/or sleeve\$12.00 Each

X-Longs are 4" longer in body and/or sleeve.....\$24.00 Each

Knit Patterns



Pattern 2 (3-color)



Pattern 3 (2-color)



Pattern 4 (2-color)



Pattern 5 (2-color)



Pattern 7 (2-color)



Pattern 8 (3-color)



Pattern 9 (3-color)



Pattern A (2-color)



Pattern S (Solid)



Pattern T (3-color)



Pattern TX (2 or 3-color)



Pattern 53 (3-color)



Pattern 13 (2 or 3-color)

1" braid is available on
Sailor Collars and Zip Divided Hoods
shown in patterns S and 7 above.

No Minimums
Orders only call 1-877-820-0916
OR
Fax 1-800-998-1904
OR
Email
sales@delongsports.com
See price list for any additional
charges.

ORDERING INFORMATION

We've made ordering easy! Just follow this process to be assured your order is complete.

JACKETS

1. Select the jacket style number.
2. Select the body color number.
3. Select shoulder insert color (if applicable). When ordering the shoulder insert, first color is one closest to the neck.
4. Select the sleeve color number.
5. Select pocket trim color number. Otherwise, pocket color will automatically match sleeve color.
6. Select one knit trim pattern number for collar, cuffs and waistband. Optional self-material cuff, extra.
7. Select knit trim colors in order - first color is always closest to body of the jacket.
8. Snap closure is standard. If selected, specify color. Heavy gauge Delrin zipper is available, extra. Specify option Z.
9. Snaps may be reversed for women at no extra charge. Specify option R.
10. Select collar style number.
11. For #1 and #3 Sailor, #2 Zip divided Hood, and #H Three Piece Hood, and #4 Two Color Byron collars only, select color number for up side and down side.

12. For #1 and #3 Sailor and #2 Zip Divided Hood collars only, select braid pattern if desired (available in patterns 7 and S only).
13. Select braid color(s) for #1 and #3 Sailor and #2 Zip Divided Hood (if applicable).
14. Select waistband insert option and insert color.
15. Zip down lining, standard. Optional closed lining available, use code XZ. If lining option is not specified, jackets will have a zip down lining.
16. Indicate the quantity of each size. See size chart on page 10.
17. List total quantity of jackets ordered.
18. DeLONG will sew on emblems if furnished. Send your emblems directly to Grinnell. Upon receipt of the emblems, we will enter your order. There is a sew-on charge for this service.

BLANKETS

1. Select the style number.
2. Select the blanket color.
3. Select the binding color.
4. List the total quantity of blankets ordered.
6. DeLONG will sew on emblems if furnished. Send your emblems directly to Grinnell. Upon receipt of the emblems, we will enter your order. There is a sew-on charge for this service.

SPECIAL SERVICES

Throughout the year, DeLONG receives many requests for special services, custom tailoring, or special handling of Award jackets from our customers. While some of these requests are beyond our ability to deliver, we do often find we can accommodate certain changes outside normal styling and sizing during most of the year. We are pleased to offer these to you when we can.

Those requests we can accommodate are:

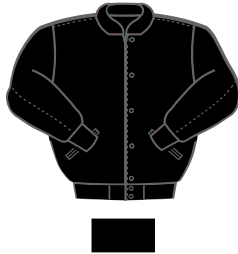
- Custom tailoring jacket bodies up to 4" shorter than standard for the ordered size.
- Custom tailoring jacket sleeves up to 4" shorter than standard for the ordered size.
- Contrasting upper and lower pocket welts.

BLANK JACKET "RUSH" ORDERS

We sometimes get requests to "Rush" an order. Circumventing our usual production planning and control is a costly and time consuming procedure, but there are occasions when we can accommodate this type of request. Rush orders may be able to be shipped in nine (9) business days when circumstances permit. This service, when available, will require a \$25 per jacket up-charge. This service is not available during peak months of November or December. Your customer service representative will be able to tell you if this service is available at any given time.

DeLONG®

STOCK AWARD JACKETS



Style 211S	Design 01
Wool body – quilt lined	Black – 51
Leather sleeve & pocket trim	Black – 51
Knit trim pattern	S
Knit main color	Black – 51
Feather stripe	NA
Stripe color	NA
*Vinyl sleeve/pocket trim	Black – 51



Style 211S	Design 06
Wool body – quilt lined	Black – 51
Leather sleeve & pocket trim	Black – 51
Knit trim pattern	4
Knit main color	Black – 51
Feather stripe	N/A
Stripe color	Scarlet – 69



Style 211S	Design 02
Wool body – quilt lined	Black – 51
Leather sleeve & pocket trim	Black – 51
Knit trim pattern	4
Knit main color	Black – 51
Feather stripe	NA
Stripe color	Orange – 54



Style 211S	Design 09
Wool body – quilt lined	Navy – 6N
Leather sleeve & pocket trim	Navy – 62
Knit trim pattern	S
Knit main color	Navy – 62
Feather stripe	N/A
Stripe color	N/A



Style 211S	Design 03
Wool body – quilt lined	Black – 51
Leather sleeve & pocket trim	Black – 51
Knit trim pattern	4
Knit main color	Black – 51
Feather stripe	NA
Stripe color	Bright Gold – 53



Style 211S	Design 15
Wool body – quilt lined	Scarlet – 69
Leather sleeve & pocket trim	White – 56
Knit trim pattern	4
Knit main color	Scarlet – 69
Feather stripe	White – 56
Stripe color	NA



Style 211S	Design 04
211S	Quilt Lined
Wool body – quilt lined	Black – 51
Leather sleeve & pocket trim	Black – 51
Knit trim pattern	2
Knit main color	Black – 51
Feather stripe	White – 56
Stripe color	Orange – 54
*Vinyl sleeve/pocket trim	Black – 51



Style 211S	Design 16
Wool body – quilt lined	Scarlet – 69
Leather sleeve & pocket trim	Black – 51
Knit trim pattern	2
Knit main color	Scarlet – 69
Feather stripe	White – 56
Stripe color	Black – 51



Style 211S	Design 05
Wool body – quilt lined	Black – 51
Leather sleeve & pocket trim	Black – 51
Knit trim pattern	2
Knit main color	Black – 51
Feather stripe	White – 56
Stripe color	Scarlet – 69



Style 211S	Design 18
Wool body – quilt lined	Royal – 72
Leather sleeve & pocket trim	White – 56
Knit trim pattern	4
Knit main color	Royal – 72
Feather stripe	White – 56
Stripe color	NA





Style 211S	Design 27
Wool body – quilt lined	Kelly – 57
Leather sleeve & pocket trim	White – OP
Knit trim pattern	4
Knit main color	Kelly – 57
Feather stripe	White – 56
Stripe color	NA



Style 211S	Design 35
Wool body – quilt lined	Scarlet – 69
Leather sleeve & pocket trim	White – OP
Knit trim pattern	4
Knit main color	Scarlet – 69
Feather stripe	White – 56
Stripe color	NA



Style 211S	Design 28
Wool body – quilt lined	Maroon – R8
Leather sleeve & pocket trim	White – OP
Knit trim pattern	4
Knit main color	Maroon – R8
Feather stripe	White – 56
Stripe color	NA



Style 211S	Design 38
Wool body – quilt lined	Royal – 72
Leather sleeve & pocket trim	White – OP
Knit trim pattern	4
Knit main color	Royal – 72
Feather stripe	White – 56
Stripe color	NA



Style 211S	Design 30
Wool body – quilt lined	Light Navy – 6N
Leather sleeve & pocket trim	White – OP
Knit trim pattern	4
Knit main color	Light Navy – 6N
Feather stripe	White – 56
Stripe color	NA



Style 211S	Design 33
Wool body – quilt lined	Purple – 66
Leather sleeve & pocket trim	White – OP
Knit trim pattern	4
Knit main color	Purple – 66
Feather stripe	White – 56
Stripe color	NA



Style 211S	Design 34
Wool body – quilt lined	Forest – R7
Leather sleeve & pocket trim	White – OP
Knit trim pattern	4
Knit main color	Forest – R7
Feather stripe	White – 56
Stripe color	NA

ORDERING INFORMATION

1. Jacket style number 211S.
2. Select the design number.
3. Select snap color. Snaps may be reversed for women, specify option R.
4. Indicate the quantity of each size. See size chart (regular lengths only).
5. Orders will ship in 24-48 hours after credit approval.
6. Artwork is not available for in-stock jackets.

ADULT JACKET SIZES

S	M	L	XL	2XL
34-36	38-40	42-44	46-48	50-52

DeLONG Customer No.	DELONG SALESMAN COPY		DeLONG Order No. (Office use only)
	Y	N	

QUICK PIC AT-ONCE ORDER FUTURE/QUALIFY ORDER

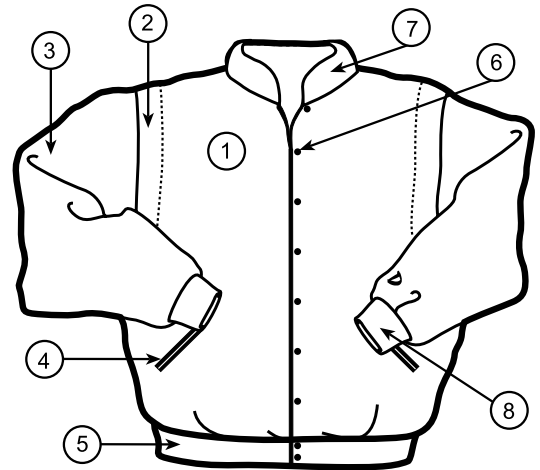
ORDERS CALL 877-820-0916 FAX 800-998-1904
EMAIL sales@delongsports.com

Ship Date: _____

Bill to:		Ship to:	
		Mark for:	
email address:		email address:	
Date:	Ordered by:	Phone #	Fax #
School Name:		P. O. #	

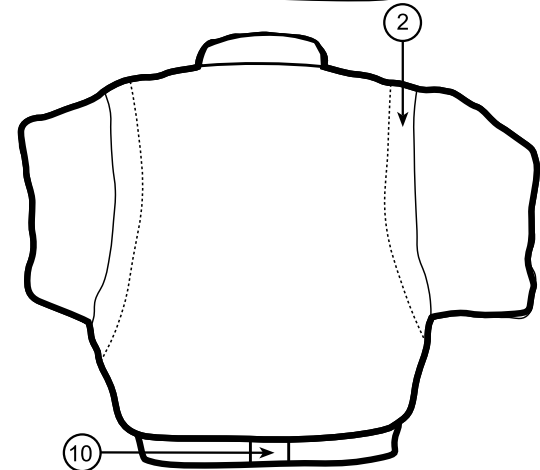
AWARD JACKET STYLE#

- BODY:** Color# _____
- INSERT:** 1st Color# _____ Cord _____ 2nd Color# _____
- SLEEVE:** Color# _____ or _____ / _____ / _____
front top bottom
- POCKET:** Color# _____
- KNITS:** Pattern# _____ Color# _____ / _____ / _____
- CLOSURE:** Snaps Color# _____ Reverse or Zipper
- COLLAR:** Style# _____ Color# _____ / _____ / _____
up down
Hood Braid Pattern# _____ Color# _____ / _____ / _____

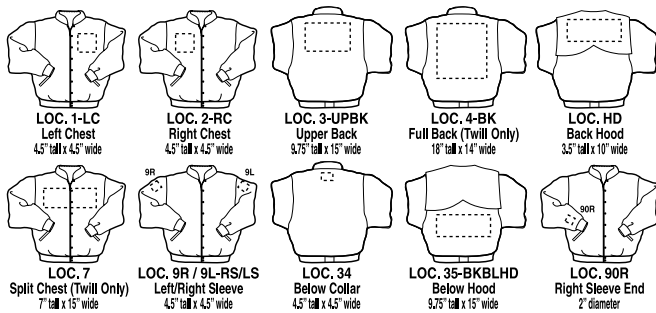


OPTIONS

- CUFF:** Leather Vinyl Wool Color# _____
- LINING:** Zip down, standard Optional Closed Lining Code: XZ
If lining option is not specified, jackets (where applicable) will have a zip down lining
- LEATHER BAND INSERT:** Yes No Color# _____



(Please feel free to draw on jacket)



SIZES	XS			S			M			L			XL			2XL			3XL			4XL			
	REGULAR	LONG	XLONG	REGULAR	LONG	XLONG	REGULAR	LONG	XLONG	REGULAR	LONG	XLONG	REGULAR	LONG	XLONG	REGULAR	LONG	XLONG	REGULAR	LONG	XLONG	REGULAR	LONG	XLONG	
JACKET																									

Sizes: 3XL (+\$20.00), 4XL (+\$40.00), 5XL (+\$60.00), 6XL (+\$80.00), Lengths: S-Short (N/C), L-Long (+\$24.00 ea), XL-Extra Long (+\$48.00 ea)

ART	(If NEW artwork, write "NEW" for Artwork ID and attach artwork with color instructions.) <input type="checkbox"/> Waive Art Approval <input type="checkbox"/> Hold for Art Approval																							
	Stk#/Artwork ID#	Size	Letter/ Number Font	Lettering Design (Straight, Vertical Arch, Etc.)	Art Location	Wording	Color Sequence																	
							FILL	OUTLINE	1	2	3	4	5	6	7									

See our Price List for complete product and decoration descriptions.