

DeLONG®



2014

**AWARD  
JACKETS**

[www.delongsports.com](http://www.delongsports.com)

Set-In Sleeves



Sleeve	Size	Lining	Style
Leather	Adult	Nylon	111A
	Adult	Quilt	211A
	Youth	Nylon	121A
	Youth	Quilt	221A
Wool	Adult	Nylon	116A
	Adult	Quilt	216A
	Youth	Nylon	126A
	Youth	Quilt	226A
Naugahyde	Adult	Nylon	114A
	Adult	Quilt	214A
	Youth	Nylon	124A
	Youth	Quilt	224A

### Jacket Features

- 24 oz. Melton Wool (80% wool/20% nylon)
- Set-in Sleeves
- Quilt or Nylon Lining
- Leather, Naugahyde, or Matching Wool Sleeves
- Zip down lining standard on adult sizes, optional closed lining available
- Refer to price list for options
- Sizes: Adult XS-4XL  
Youth XS-XL

Raglan Sleeves

Sleeve	Size	Lining	Style
Leather	Adult	Nylon	141A
	Adult	Quilt	241A
	Youth	Nylon	151A
	Youth	Quilt	261A
Wool	Adult	Nylon	146A
	Adult	Quilt	246A
	Youth	Nylon	156A
	Youth	Quilt	256A
Naugahyde	Adult	Nylon	144A
	Adult	Quilt	244A
	Youth	Nylon	154A
	Youth	Quilt	254A



### Jacket Features

- 24 oz. Melton Wool (80% wool/20% nylon)
- Set-in Sleeves
- Quilt or Nylon Lining
- Leather, Naugahyde, or Matching Wool Sleeves
- Zip down lining standard on adult sizes, optional closed lining available
- Refer to price list for options
- Sizes: Adult XS-4XL  
Youth XS-XL

## Award Jackets

[www.delongsports.com](http://www.delongsports.com)

Shoulder Insert

**Two piece leather with cording**

Sleeve	Size	Lining	Style
Wool	Adult	Nylon	173A
	Adult	Quilt	273A
Leather	Adult	Nylon	172A
	Adult	Quilt	272A

**One piece leather**

Sleeve	Size	Lining	Style
Wool	Adult	Nylon	175A
	Adult	Quilt	275A
Leather	Adult	Nylon	174A
	Adult	Quilt	274A
Naugahite	Adult	Rayon	180A
	Adult	Quilt	280A

**Leather with contrasting center stripe**

Sleeve	Size	Lining	Style
Wool	Adult	Nylon	179A
	Adult	Quilt	279A
Leather	Adult	Nylon	178A
	Adult	Quilt	278A

**Knit with cording (not pictured)**

Sleeve	Size	Lining	Style
Leather	Adult	Nylon	176A
	Adult	Quilt	276A

**Three piece leather**

Sleeve	Size	Lining	Style
Wool	Adult	Nylon	170A
	Adult	Quilt	270A
Leather	Adult	Nylon	278A
	Adult	Quilt	277A



360 Shoulder Insert



**One piece leather**

Sleeve	Size	Lining	Style
Leather	Adult	Nylon	376A
	Adult	Quilt	476A

**Three piece leather**

Sleeve	Size	Lining	Style
Leather	Adult	Nylon	177A
	Adult	Quilt	277A

**Two piece Overlay**

Sleeve	Size	Lining	Style
Leather	Adult	Nylon	379A
	Adult	Quilt	479A

**Jacket Features**

- 24 oz. Melton Wool (80% wool/20% nylon)
- Set-in Sleeves
- Quilt or Nylon Lining
- Leather, Naugahyde, or Matching Wool Sleeves
- Zip down lining standard on adult sizes, optional closed
- lining available
- Refer to price list for options
- Sizes: Adult XS-4XL Youth XS-XL

### Set-in Sleeve

Sleeve	Size	Lining	Style
Leather	Adult	Nylon	118A
	Adult	Quilt	218A
Wool	Adult	Nylon	117A
	Adult	Quilt	217A
Naugahyde	Adult	Nylon	112A
	Adult	Quilt	212A

### Raglan Sleeve

Sleeve	Size	Lining	Style
Leather	Adult	Nylon	148A
	Adult	Quilt	248A
Wool	Adult	Nylon	147A
	Adult	Quilt	247A
Naugahyde	Adult	Nylon	142A
	Adult	Quilt	242A



Finger Tip

### Set-in Sleeve

Sleeve	Size	Lining	Style
Wool	Adult	Nylon	113A
	Adult	Quilt	213A

### Raglan Sleeve

Sleeve	Size	Lining	Style
Wool	Adult	Nylon	143A
	Adult	Quilt	243A



### Jacket Features

- 24 oz. Melton Wool (80% wool/20% nylon)
- Set-in Sleeves
- Quilt or Nylon Lining
- Leather, Naugahyde, or Matching Wool Sleeves
- Zip down lining standard on adult sizes, optional closed lining available
- Refer to price list for options
- Sizes: Adult XS-4XL  
Youth XS-XL

Contrasting Wool

### Three Color Sleeve

#### Three Color Set-In Sleeve

Sleeve	Size	Lining	Style
Wool	Adult	Nylon	167A
	Adult	Quilt	267A
Leather	Adult	Nylon	168A
	Adult	Quilt	268A

#### Jacket Features

- 24 oz. Melton Wool (80% wool/20% nylon)
- Set-in Sleeves
- Leather or Naugahyde 3-color Sleeves
- Zip down lining standard on adult sizes, optional closed lining available
- Refer to price list for options
- Sizes: Adult XS-4XL



### Feminine Cut



Sleeve	Size	Lining	Style
Leather	Adult	Nylon	111W
	Adult	Quilt	211W
Wool	Adult	Nylon	116W
	Adult	Quilt	216W
Naugahyde	Adult	Nylon	114W
	Adult	Quilt	214W

#### Jacket Features

- 24 oz. Melton Wool (80% wool/20% nylon)
- Set-in Sleeves
- Leather, Naugahyde, or Matching Wool Sleeves
- Zip down lining standard on adult sizes, optional closed lining available
- Refer to price list for options
- Sizes: Adult XS-XL

Our tailored jacket is specifically cut to compliment the female body structure. The jacket is contoured through the mid-section and sleeves to have a nice sleek fit and appearance.

### Set-in Sleeve

Sleeve	Size	Lining	Style
Leather	Adult	Rayon	111R
Wool	Adult	Rayon	116R
Naugahyde	Adult	Rayon	114R

### Raglan Sleeve

Sleeve	Size	Lining	Style
Leather	Adult	Rayon	141R
Wool	Adult	Rayon	146R
Naugahyde	Adult	Rayon	144R

### Jacket Features

- 24 oz. Melton Wool (80% wool/20% nylon)
- Reversible Wool Jacket
- Reversing to Nylon Jacket
- Choose snap color for each side
- Knit cuffs and waist
- Choose collar style and knit trim pattern
- Sizes: Adult XS-4XL



Reversible

### Genuine Leather Fingertip

Sleeve	Size	Lining	Style
Leather	Adult	Nylon	184A
	Adult	Quilt	284A

### Genuine Leather

Sleeve	Back	Size	Lining
Set-In	3 pc	Adult	Nylon
	3 pc	Adult	Quilt
Set-In	1 pc	Adult	Nylon
	1 pc	Adult	Quilt
Raglan	1 pc	Adult	Nylon
	1 pc	Adult	Quilt

### Jacket Features

- Genuine Leathers
- Quilt or Nylon Lining
- Standard snap closure (zipper optional)
- Knit cuffs and waist
- Optional leather cuffs
- Optional leather arm bands (Two 1" stripes around bicep)
- Optional inside welt or patch pockets
- Optional premium leather
- Sizes: Adult XS-4XL



Leather

Sleeve	Size	Lining	Style
Leather	Adult	Nylon	197A
	Adult	Quilt	297A

### Jacket Features

- 24 oz. Melton Wool (80% wool/20% nylon)
- Set-In Leather Sleeves
- Quilt or Nylon Lining
- Choose collar style and knit trim pattern
- Standard snap closure (zipper optional)
- Knit cuffs and waist
- Optional leather waistband insert
- Optional leather cuffs
- Optional inside welt or patch pockets
- Sizes: Adult XS-4XL



Leather Side Panel

Blankets



### Blanket Features

- 24 oz. Melton Wool (80% wool/20% nylon)
- Matching or contrasting binding
- Style 472 .....60"x 72"
- Style 478 .....60"x 78"

Zip Down Lining

### Step 1



### Step 2



### Zip Down Lining

DeLong jackets now come with zip-down lining. This gives you the opportunity to add decoration to any jacket whether it's the first time the jacket is being decorated or whether your customer has brought it back for additional sew-ons or decoration.

### Step 3



### Final



### Step 1

Unzip the lining

### Step 2

Reach between the lining and the jacket to the bottom of each sleeve and grab the lining and pull it through so the lining (sleeve) is completely inside out. The lining drops down giving you access to the whole jacket.

### Step 3

Apply your decoration and turn the jacket right-side out and zip lining.





\*Style #1 Sailor Collar



\*Style #2 Zip Divided Hood  
\*Style #2B Zip Divided Hood  
without snaps



\*Style #3 Zip Sailor Collar

\*White-56 and Gold-53 hood and sailor collars are standard using fleece fabric. White wool-W6 and Gold wool-W3 are optional at no charge.



Style #G "Whiting Style"  
Single ply rib knit trim with  
rolled cuffs



Style #7 Knit Stand-up Collar,  
no charge



Style #8 Byron Knit Collar



Stand-up Collar  
Style #11 Genuine Leather  
Style #12 Wool  
Style #14 Premium Leather



Style #6 Matching Self-Material  
Byron Collar



Cuff - Leather, Naugahyde,  
Wool



Waistband Insert  
Style #GL Genuine Leather

\*Style #4 1 or 2-Color Wool Byron  
Collar Contrasts Body

Style #5 Leather Byron Collar

Style #15 Byron Collar, Wool  
Upside, Leather Underside

Style #16 Byron Collar, Leather  
Upside, Wool Underside will match  
body color

Style #19 Leather Byron Banded

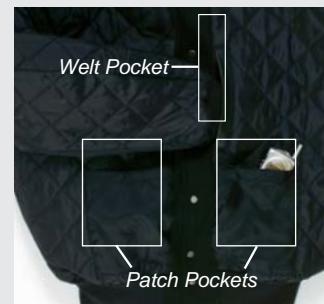
Style #20 Byron Banded, Leather  
Upside, Wool Underside will match  
body color

Style #21 Wool Byron Banded

Style #LT Wool/Leather Tipped

Style #H 3 piece Hood

Style #L Byron Leather



Inside pockets

COLOR CHART	Genuine Leather	Naugahyde	Nude Leather	24 oz. Wool Melton
** Academy Blue 42	X			X
Black 51	X	X		X
* Black 5N			X	
Bone TP	X			
Brown 44	X			X
Buck Tan (Old Gold) 14	X	X		
Burnt Orange 03	X			
Cardinal 79	X			X
Celtic Green CG	X			
Columbia Blue 52	X	X		X
Cranberry 89				X
Cream 05	X	X		
Dark Cranberry CR				X
Dark Green AC				X
Dark Old Gold 13		X		
Dark Kelly 36				X
Dark Royal 73				X
Dark Scarlet DR				X
** Dolphin Blue 07				X
Forest Green	X	X		X
Gold 53	X	X		X
Grey 58	X	X		X
Hi Royal HR	X	X		
Kelly 57	X	X		X
Light Cardinal 39				X
Lt. Cream	X			
Light Forest A7				X
** Light Grey LG	X			X
Light Navy 6N				X
Light Maroon A8				X
Light Old Gold 63				X
Light Scarlet 49				X
Mariner MB				X
Maroon 59	X	X		X
Military Navy 46				X
Natural 55	X	X		
Navy 62	X	X		
N.W. Purple 37				X
Ocean Blue 45	X			X
Optical White OP	X			
Orange 54	X	X		X
Palomino 04	X			
Purple 66	X	X		X
7000 Purple 26				X
Royal Blue 72	X	X		X
** Royal B4 90				X
Royal 27 32				X
Scarlet 69	X	X		X
Teal Blue 27	X			X
** Tennessee Orange 48				X
Texas Orange 64		X		X
Vanilla VA	X			
Vegas Gold 43	X			X
White 56	X	X		X
Willow 12	X			

\*Premium leather sleeves carry an additional charge  
 \*\*100% Virgin Wool

### Adult Jacket Sizes

XS	S	M	L	XL	2XL	3XL*	4XL**
30-32	34-36	38-40	42-44	46-48	50-52	54-56	58-60

\*10% extra    \*\*20% extra  
 Shorts are 2" shorter in body and sleeve. . . . . N/C  
 Longs are 2" longer in body and sleeve. . . . . 10% Extra  
 X-Longs are 4" longer in body and sleeve. . . . . 20% Extra

### Youth Jacket Sizes

XS	S	M	L	XL
4	6-8	10-12	14-16	18-20

Shorts are 2" shorter in body and sleeve. . . . . N/C  
 Longs are 2" longer in body and sleeve. . . . . 10% Extra  
 X-Longs are 4" longer in body and sleeve. . . . . 20% Extra

### Knit Patterns



Pattern 2 (3-color)



Pattern 3 (2-color)



Pattern 4 (2-color)



Pattern 5 (2-color)



Pattern 7 (2-color)



Pattern 8 (3-color)



Pattern 9 (3-color)



Pattern A (2-color)



Pattern S (Solid)



Pattern T (3-color)



Pattern TX (2 or 3-color)



Pattern 53 (3-color)



Pattern 13 (2 or 3-color)

*3/4" braid trim is available on  
 Sailor Collars and Zip Divided Hood  
 in patterns S and 7 only.*

**No Minimums**  
**Orders only call 1-877-820-0916**  
**OR**  
**Fax 1-800-998-1904**  
**OR**  
**Email**  
**sales@delongsports.com**  
**See price list for any additional charges.**

## ORDERING INFORMATION

We've made ordering easy! Just follow this process to be assured your order is complete.

### JACKETS

1. Select the jacket style number.
2. Select the body color number.
3. Select shoulder insert color (if applicable). When ordering shoulder insert, first color is one closest to the neck.
4. Select sleeve color number. Premium leathers carry an additional charge.
5. Select pocket trim color number. Otherwise, pocket color will automatically match sleeve color. On a solid color wool jacket, if a pocket number is given, pocket welt will be naugahyde. On a contrasting wool sleeve jacket, pocket welts may contrast or match the body in wool only.
6. Select one knit trim pattern number for collar, cuffs and waistband. Optional self-material cuff, extra. Outside cuff matches sleeve, inside of cuff matches jacket body.
7. Select knit trim colors in order – first color is always closest to body of the jacket.
8. Snap closure is standard, if selected specify color. Heavy gauge Delrin zipper is available, extra. Specify option Z.
9. Snaps may be reversed for women at no extra charge. Specify option R.
10. Select collar style number.

11. For #1 and #3 Sailor, #2 Zip divided Hood, and #H Three Piece Hood, and #4 Two Color Byron collars only, select color number for up side and down side.
12. For #1 and #3 Sailor and #2 Zip Divided Hood collars only, select braid pattern if desired (available in patterns 7 and S only).
13. Select braid color(s) for #1 and #3 Sailor and #2 Zip Divided Hood (if applicable).
14. Select waistband insert option. Insert color.
15. Zip down lining, standard. Optional closed lining available, use code XZ. If lining option is not specified jackets (where applicable), will have a zip down lining.
16. Indicate the quantity of each size. See size chart on page 9.
17. List total quantity of jackets ordered.
18. DeLong will sew on emblems if furnished. Send your emblems directly to Grinnell. Upon receipt of the emblems, we will enter your order. There is a sew-on charge for this service.

### BLANKETS

1. Select the style number.
2. Select the blanket color.
3. Select the binding color.
4. List total quantity blankets ordered.
5. DeLong will sew on emblems if furnished. Send your emblems directly to Grinnell. Upon receipt of the emblems, we will enter your order. There is a sew-on charge for this service.

## SPECIAL SERVICES

Throughout the year, DeLONG receives many requests for special services, custom tailoring, or special handling of Award jackets from our customers. While some of these requests are beyond our ability to deliver, we do often find that we can accommodate certain changes outside normal styling and sizing during most of the year. We are pleased to offer these to you, our valued customers, when we can.

Those requests that we can accommodate are:

- Custom tailoring jacket bodies up to 2" shorter than standard for the ordered size.
- Custom tailoring jacket sleeves up to 4" shorter than standard for the ordered size.
- Contrasting left and right sleeves in all fabrics.
- Contrasting left and right pocket welts.
- Contrasting upper and lower pocket welts.

There is a nominal charge for each of the listed items. Ask your DeLONG sales representative for more information. Finally, none of the special services listed here are available during the peak months of November and December, so that we can serve you and your customers efficiently and promptly.

### "RUSH" ORDERS

We sometimes get requests to "RUSH" an order. Circumventing our usual production planning and control is a costly and time consuming procedure, but there are occasions when we can accommodate this type of request. Rush orders may be able to be shipped in 7 business days, when circumstances permit. This service, when available, will require a 25% up-charge. This service is not available during peak months of November or December. Your customer service representative will be able to tell you if this service is available at any given time.

## PRODUCTION SCHEDULE

Award jackets begin their production cycle each Tuesday at 4:30 p.m. Central time. Orders received prior to the cutoff (faxed orders must be received by 3:00 p.m. Central Time) will be entered in to that week's production cycle. We do not require that orders be placed on the day of a cutoff. However, after the 4:30 p.m. cutoff, the order you place will go in to the next week's work-in-process. Please contact your regional sales manager or call us directly at the home office □□□□□□□□□□

# DeLONG®

## STOCK AWARD JACKETS



Style 211S	Design 01
Wool body – quilt lined	Black – 51
Leather sleeve & pocket trim	Black – 51
Knit trim pattern	S
Knit main color	Black – 51
Feather stripe	NA
Stripe color	NA
*Naugahyde sleeve/pocket trim Black – 51	



Style 211S	Design 06
Wool body – quilt lined	Black – 51
Leather sleeve & pocket trim	Black – 51
Knit trim pattern	4
Knit main color	Black – 51
Feather stripe	N/A
Stripe color	Scarlet – 69



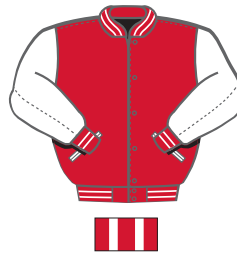
Style 211S	Design 02
Wool body – quilt lined	Black – 51
Leather sleeve & pocket trim	Black – 51
Knit trim pattern	4
Knit main color	Black – 51
Feather stripe	NA
Stripe color	Orange – 54



Style 211S	Design 09
Wool body – quilt lined	Navy – 6N
Leather sleeve & pocket trim	Navy – 62
Knit trim pattern	S
Knit main color	Navy – 62
Feather stripe	N/A
Stripe color	N/A



Style 211S	Design 03
Wool body – quilt lined	Black – 51
Leather sleeve & pocket trim	Black – 51
Knit trim pattern	4
Knit main color	Black – 51
Feather stripe	NA
Stripe color	Bright Gold – 53



Style 211S	Design 15
Wool body – quilt lined	Scarlet – 69
Leather sleeve & pocket trim	White – 56
Knit trim pattern	4
Knit main color	Scarlet – 69
Feather stripe	White – 56
Stripe color	NA



Style 211S	Design 04
211S	Quilt Lined
Wool body – quilt lined	Black – 51
Leather sleeve & pocket trim	Black – 51
Knit trim pattern	2
Knit main color	Black – 51
Feather stripe	White – 56
Stripe color	Orange – 54
*Naugahyde sleeve/pocket trim Black – 51	



Style 211S	Design 16
Wool body – quilt lined	Scarlet – 69
Leather sleeve & pocket trim	Black – 51
Knit trim pattern	2
Knit main color	Scarlet – 69
Feather stripe	White – 56
Stripe color	Black – 51



Style 211S	Design 05
Wool body – quilt lined	Black – 51
Leather sleeve & pocket trim	Black – 51
Knit trim pattern	2
Knit main color	Black – 51
Feather stripe	White – 56
Stripe color	Scarlet – 69

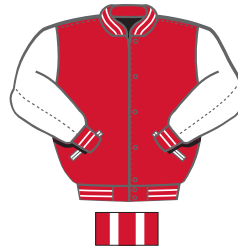


Style 211S	Design 18
Wool body – quilt lined	Royal – 72
Leather sleeve & pocket trim	White – 56
Knit trim pattern	4
Knit main color	Royal – 72
Feather stripe	White – 56
Stripe color	NA





Style 211S	Design 27
Wool body – quilt lined	Kelly – 57
Leather sleeve & pocket trim	White – OP
Knit trim pattern	4
Knit main color	Kelly – 57
Feather stripe	White – 56
Stripe color	NA



Style 211S	Design 35
Wool body – quilt lined	Scarlet – 69
Leather sleeve & pocket trim	White – OP
Knit trim pattern	4
Knit main color	Scarlet – 69
Feather stripe	White – 56
Stripe color	NA



Style 211S	Design 28
Wool body – quilt lined	Maroon – R8
Leather sleeve & pocket trim	White – OP
Knit trim pattern	4
Knit main color	Maroon – R8
Feather stripe	White – 56
Stripe color	NA



Style 211S	Design 38
Wool body – quilt lined	Royal – 72
Leather sleeve & pocket trim	White – OP
Knit trim pattern	4
Knit main color	Royal – 72
Feather stripe	White – 56
Stripe color	NA



Style 211S	Design 30
Wool body – quilt lined	Light Navy – 6N
Leather sleeve & pocket trim	White – OP
Knit trim pattern	4
Knit main color	Light Navy – 6N
Feather stripe	White – 56
Stripe color	NA



Style 211S	Design 39
Wool body – quilt lined	Royal – 72
Leather sleeve & pocket trim	White – OP
Knit trim pattern	7X
Knit main color	Royal – 72
Feather stripe	White – 56
Stripe color	Scarlet – 69



Style 211S	Design 33
Wool body – quilt lined	Purple – 66
Leather sleeve & pocket trim	White – OP
Knit trim pattern	4
Knit main color	Purple – 66
Feather stripe	White – 56
Stripe color	NA



Style 211S	Design 34
Wool body – quilt lined	Forest – R7
Leather sleeve & pocket trim	White – OP
Knit trim pattern	4
Knit main color	Forest – R7
Feather stripe	White – 56
Stripe color	NA

## ORDERING INFORMATION

1. Jacket style number 211S.
2. Select the design number.
3. Select snap color. Snaps may be reversed for women, specify option R.
4. Indicate the quantity of each size. See size chart (regular lengths only).
5. Orders will ship in 24-48 hours after art approval.
6. Artwork is not available for in-stock jackets.

## ADULT JACKET SIZES

S	M	L	XL	2XL
34-36	38-40	42-44	46-48	50-52

DeLONG Customer No.	DELONG SALESMAN COPY		DeLONG Order No. (Office use only)
	Y	N	

QUICK PIC  AT-ONCE ORDER  FUTURE/QUALIFY ORDER

Program:  Spring  Fall  Winter

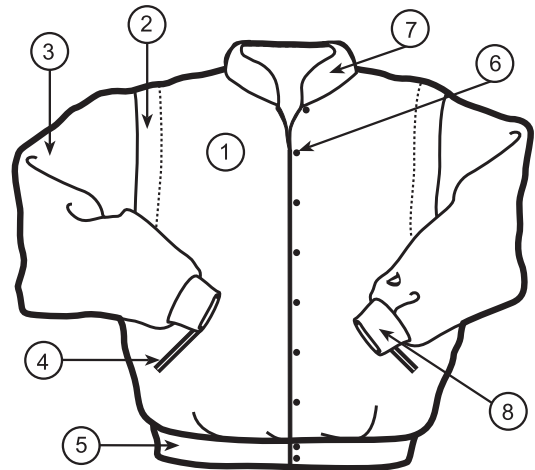
ORDERS CALL 877-820-0916 FAX 800-998-1904  
EMAIL sales@delongsports.com

Revolving Ship Date: \_\_\_\_\_

Bill to:		Ship to:	
		Mark for:	
email address:		email address:	
Date:	Ordered by:	Phone #	Fax #
School Name:		P. O. #	

**AWARD JACKET STYLE#**

- 1. BODY:** Color# \_\_\_\_\_
- 2. INSERT:** 1st Color# \_\_\_\_\_ Cord \_\_\_\_\_ 2nd Color# \_\_\_\_\_
- 3. SLEEVE:** Color# \_\_\_\_\_ or \_\_\_\_\_ / \_\_\_\_\_ / \_\_\_\_\_  
front top bottom
- 4. POCKET:** Color# \_\_\_\_\_
- 5. KNITS:** Pattern# \_\_\_\_\_ Color# \_\_\_\_\_ / \_\_\_\_\_ / \_\_\_\_\_
- 6. CLOSURE:** Snaps  Color# \_\_\_\_\_ Reverse  or Zipper
- 7. COLLAR:** Style# \_\_\_\_\_ Color# \_\_\_\_\_ / \_\_\_\_\_ / \_\_\_\_\_  
up down  
Hood Braid Pattern# \_\_\_\_\_ Color# \_\_\_\_\_ / \_\_\_\_\_ / \_\_\_\_\_

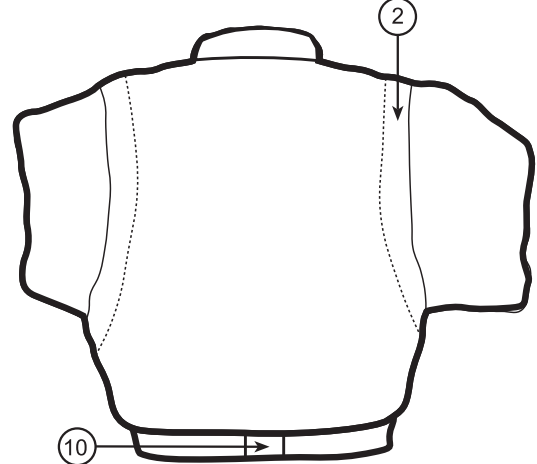


**OPTIONS**

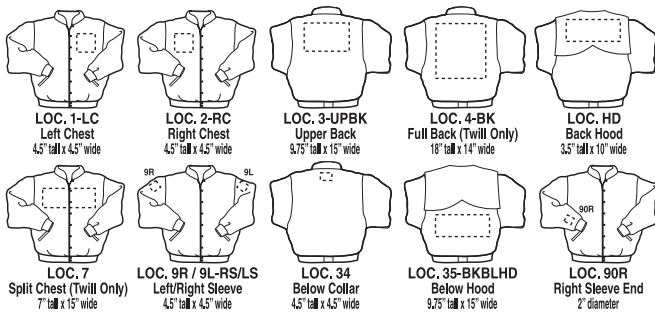
- 8. CUFF:** Leather  Naugahyde  Wool  Color# \_\_\_\_\_
- 9. LINING:**  Zip down, standard  Optional Closed Lining Code: XZ

*If lining option is not specified, jackets (where applicable) will have a zip down lining*

- 10. LEATHER BAND INSERT:**  Yes  No Color# \_\_\_\_\_



(Please feel free to draw on jacket)



SIZES	XS			S			M			L			XL			2XL			3XL			4XL			
	REGULAR	LONG	XLONG	REGULAR	LONG	XLONG	REGULAR	LONG	XLONG	REGULAR	LONG	XLONG	REGULAR	LONG	XLONG	REGULAR	LONG	XLONG	REGULAR	LONG	XLONG	REGULAR	LONG	XLONG	
JACKET																									

Sizes: 3XL (+10%), 4XL (+20%), Lengths: S-Short (N/C), L-Long (+10%), XL-Extra Long (+20%)

ART	(If NEW artwork, write "NEW" for Artwork ID and attach artwork with color instructions.) <input type="checkbox"/> Waive Art Approval <input type="checkbox"/> Hold for Art Approval																							
	Stk#/Artwork ID#	Size	Letter/ Number Font	Lettering Design (Straight, Vertical Arch, Etc.)	Art Location	Wording	Color Sequence																	
							FILL	OUTLINE	1	2	3	4	5	6	7									

See Our Price List for complete product and decoration descriptions.